

AR111 Retrofit

AR111 lamp replacement



Features

- AR111 Lamp Replacement
- Powered by Luxeon Rebel™
- High-efficiency design to meet Part L applications
- Option of On-Board Drive with thermal feedback
- 350mA or 700mA drive currents
- Tough and durable machined aluminium housing

Description

The AR111 Retrofit is a compact 8-LED fitting suited to multiple downlighting applications, incorporating Luxeon Rebel™ LED Technology. IP67 option is available upon request, for outdoor use.

The unit is available in an on-board drive version (to be driven with a constant-voltage 12V-30V DC power supply) or in an LED only version (to be driven with constant-current driver).

It has been designed with excellent thermal properties and efficiency in mind. Used with the correct driver, this will meet Part L requirements.

Typical applications for the AR111 Retrofit include retail display lighting, office and workshop lighting, residential, hotel, bar and club environments.

The AR111 Retrofit is designed to fit into a standard AR111 housing and is available in various colours, including Cool White, Neutral White and Warm White.

RECOMMENDED DRIVERS

Constant Current	Constant Voltage
D18CC350-4-14IP67	D6CV12
D36CC700-4-14IP67	D100CV12

LIGHTING PERFORMANCE

Model	Light Source	LED Qty	Lumen Output	Expected Lifetime
350mA	Luxeon Rebel	8	760 @ 350mA	50,000hrs +
700mA	Luxeon Rebel	8	1280 @ 700mA	50,000hrs +

NB: Lumen values quoted on Cool White (6500°K)

INPUT DATA (On-Board Drive)

Model	Approx. Power Consumption	Input Voltage	Power Supply Type	Input Connection
350mA	11.2W	12-30V DC	Constant Voltage DC	Flying Lead
700mA	20W	12-30V DC	Constant Voltage DC	Flying Lead

INPUT DATA (Non On-Board Drive)

Model	Approx. Power Consumption	Input Voltage	Power Supply Type	Input Connection
350mA	11.2W	N/A	Constant Current Driver	Flying Lead
700mA	20W	N/A	Constant Current Driver	Flying Lead

OPERATING DETAILS

LED Input Power	Ambient Temperature Range
9.6W @ 350mA / 18W @ 700mA	-10 to +40 Degrees C

PHYSICAL DETAILS

Mounting Type	Finish	Ingress Protection
AR111 Fitting	Matt Black Anodising	IP67 available on request

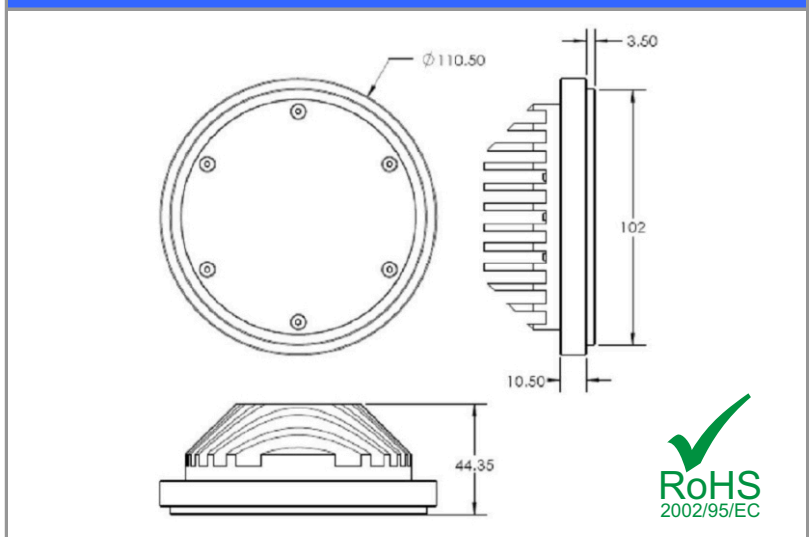
OPTIONS

Single LED Colours	Optic
Red, Green, Blue, Amber, Cool White, Neutral White, Warm White	6, 15, 25, 40 Degrees

DRIVE LIMITATIONS

Model	Max. number of Units per Driver	
	D18CC350-4-14IP67	D36CC700-4-14IP67
350mA (LED Only)	1	----
700mA (LED Only)	----	1
Model	D6CV12	D100CV12
350mA (On-Board Drive)	5	8
700mA (On-Board Drive)	3	5

MECHANICAL DIMENSIONS



We reserve the right to make changes at any time in order to maintain the highest product quality.